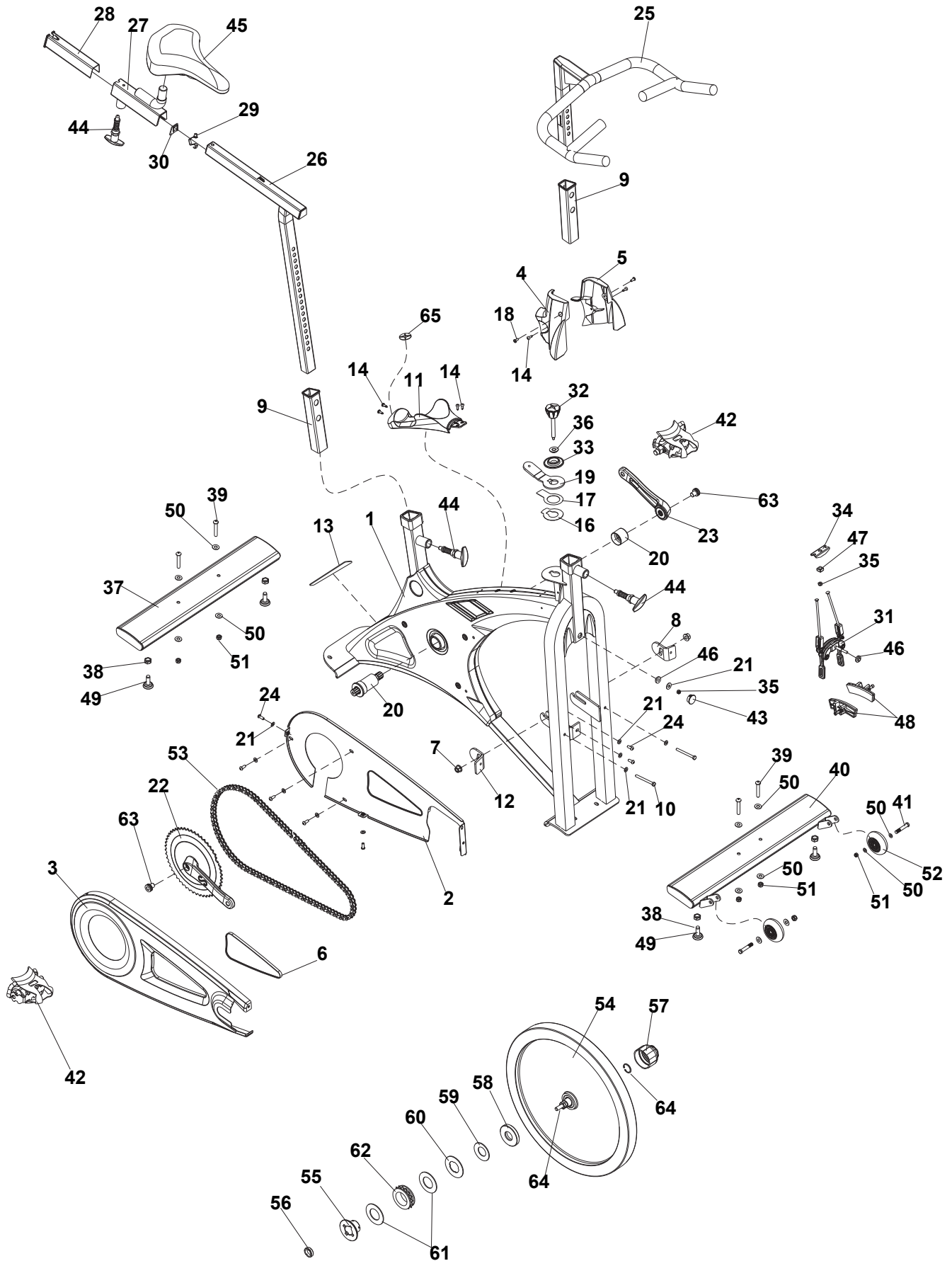


SCHWINN IC EVOLUTION SR EXPLODED VIEW

3710014



SCHWINN IC EVOLUTION SR PARTS LIST

REF#	DESCRIPTION	PART#
1	FRAME	84985
2	CHAINGUARD (INNER)	84986
3	CHAINGUARD (OUTER)	84982
4	SHROUD (RIGHT)	80011
5	SHROUD (LEFT)	80010
6	RUBBER RING FOR OUTER CHAINGUARD	80003
7	STAINLESS STEEL AXLE NUT 3/8X26TX11T	000-0389
8	CHAIN ADJUST BRACKET (LEFT)	84987
9	SLEEVE FOR FRAME	80001
10	STAINLESS CHAIN TEN. BOLT M6X1.0X60L	84988
11	BOTTLE HOLDER	80012
12	CHAIN ADJUST BRACKET (RIGHT)	84989
13	RUBBER FRAME GUARD	80014
14	STAINLESS SELF-TAPPING SCREW M5X12L	80040
16	PROTECTIVE PLASTIC STICKER (B)	80041
17	PROTECTIVE PLASTIC STICKER (A)	80042
18	MACHINE SCREW M5X.08X12L SS	84957
19	EMERGENCY BRAKE LEVER	80009
20	B.B. SET, ISIS, W/BOLT	80036
21	STAINLESS WASHER 16 X 6.5 X1	95431
22	RIGHT CRANK W/SPOCKET, ISIS M12	80034
23	LEFT CRANK ARM , ISIS	80035
24	STAINLESS HEX HEAD BOLT M6X1.0X12L	95432
25	HANDLEBAR BLACK TEXTURED	84991
26	SEAT POST, STAINLESS	84992
27	SEAT ADJUSTMENT BRACKET	84993
28	SLEEVE FOR SEAT SLIDER	80002
29	SEAT RETAINING PIN	80006
30	RETAINING PIN COVER	80013
31	RESISTANCE ASSEMBLY	80008
32	TENSION ADJUSTING KNOB	80017
33	TENSION KNOB RING	80005
34	ROD CARRIER	80007
35	NUT FOR RES. ASSM. M6X1.0 SS	95456
36	PLASTIC BALL RING	80004
37	REAR STABILIZER	84984
38	HEX NUT FOR LEVELING FEET 3/8	95577

REF#	DESCRIPTION	PART#
39	STAINLESS HEX HEAD BOLT M8X1.25X50L	80030
40	FRONT STABILIZER	84983
41	BOLT TRANSPORT WHL M8X1.25X45L SS	92218
42	PEDALS 9/16"	95129
43	FRAME PLUG FOR BRAKE ASSM.	92206
44	T-HANDLE POP PIN DOUBLE LEAD	84994
45	SEAT, 7777-1, BLACK	92202
46	YELLOW PLASTIC BUSHING SET OF 2	92204
47	SQUARE NUT	98022
48	BRAKE PADS	92874
49	LEVELER FOOT	84995
50	WASHER 19 X 8.5 X 1MM SS	95426
51	SCREW NUT M8 X 1.25 SS	91731
52	TRANSPORTATION WHEEL	92210
53	CHAIN 106L 1/2X3/32"	80043
54	FLYWHEEL COMPLETE SET	
55	FLANGED HUB LOCKNUT	92214
56	BEARING HUB RETAINER RING	92458
57	HUB SHELL PLASTIC COVER	92451
58	INNER ADJUST SR PLATE	92452
59	CONICAL SPRING	92208
60	INTERFACING PLATE TO BRAKE PADS	92453
61	SR BRAKE PAD SET	92213
62	HUB SPROCKET WITH BEARING	98419
63	CRANK BOLT - 1EA M12	80044
64	AXLE SET	98414
65	BADGE SCHWINN LOGO 33MM	80047
66	BOTTLE CAGE BOLT M5X.8X16L	95428
67	BOTTLE CAGE	84998
68	RUBBER FRAME GUARD STRIP	84999
69	BADGE SCHWINN LOGO 40MM	80048

Indoor Cycling Optional Accessories

	DESCRIPTION	PART#
	TRIPLE LINK PEDAL SYSTEM	95150
	IC/Evo. TECH MANUAL 2004	84951
	CHAINGUARD WARNING STICKER SHEET OF 12	92215
	PLASTIC SHIM SHEET OF 12	92217
	DECAL SET 2003/2204 Evolution	80045